

**CADET™ 5' x 32" with INTEGRAL APRON
WHIRLPOOL AND BATHING POOL**

- 2776.218W Whirlpool featuring System I, Left Hand Outlet
- 2776.118W Whirlpool featuring System I, Right Hand Outlet

Product Features:

- Acrylic with fiberglass reinforcement
- Integral apron with removable access panel
- Integral 3-sided tile/water retention flange
- Form-fitted back rest
- Dual, molded in arm rests
- 1.25 HP single speed, self-draining pump/motor
- Factory installed power cord with plug
- Eight multi-directional and flow-adjustable jets including:
 - Two foot jets
 - Four body massage jets
 - Two recessed back-rest jets
- Deck-mounted air switch On/Off
- Two silent air volume controls
- Factory installed and tested whirlpool system

EverClean® Whirlpool Massage featuring System I

- 2776.218WC Whirlpool featuring System I, Left Hand Outlet
- 2776.118WC Whirlpool featuring System I, Right Hand Outlet
 - Same as above except with the EverClean® System
- 2776.102 Bathing Pool, Right Hand Outlet
- 2776.202 Bathing Pool, Left Hand Outlet

Nominal Dimensions:

1521 x 813 x 508mm
(59-7/8" x 32" x 20")

American Standard whirlpools and air baths with EverClean® incorporate a patented silver-ion additive right into the circulation piping to protect the pipes from mold, mildew, algae and fungus that could cause deterioration or staining of the pipes.



To Be Specified - Required:

- Color:
- Bath Filler: (specify finish)
- Bath Drain: 1583.470 (specify finish)

To Be Specified - Optional:

- Bath Caddy: 9533.100 (in Chrome only)
- Jet Trim Ring Kit: 9860.200-two per kit (specify finish)

For color/finish availability and other faucet choices, please see the Product Selector and Pricing Guide.

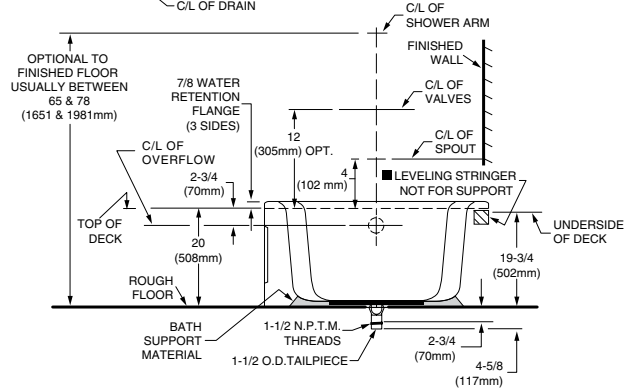
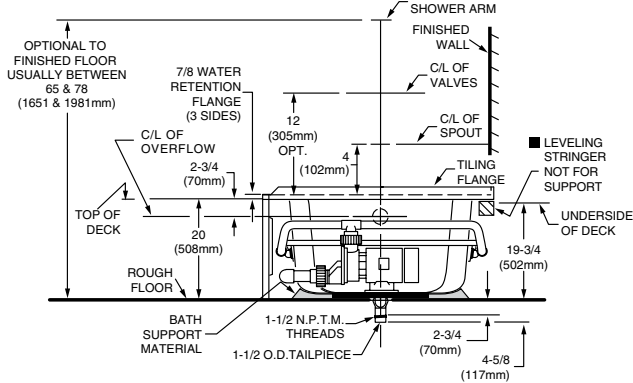
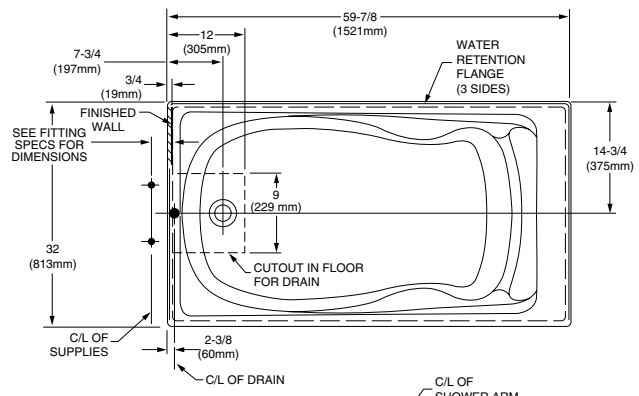
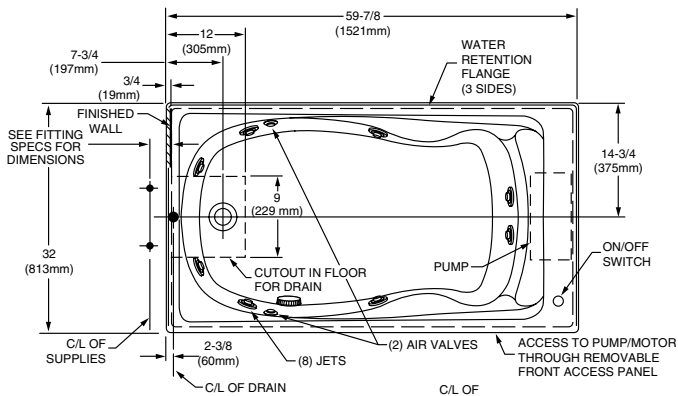
Compliance Certifications -

Meets or Exceeds the Following Specifications:

- Underwriters Laboratories - Hydromassage Bathtubs UL 1795
- ASME A112.19.7M for Whirlpool Appliances
- ANSI Z124.1 for Plastic Bathtubs
- ASTM E162 for Flammability
- NFPA 258 for Smoke Density

SEE REVERSE FOR PRODUCT DIMENSIONS
AND SPECIFICATIONS

CADET™ 5' x 32" w/INTEGRAL APRON WHIRLPOOL AND BATHING POOL
HIGH GLOSS



GENERAL SPECIFICATIONS FOR 2776 WHIRLPOOL

| | |
|--------------------------------|---------------------------------------|
| INSTALLED SIZE | 59-7/8 x 32 x 20 (1521 x 813 x 508mm) |
| WEIGHT | 115 Lbs. (52 Kg.) |
| WEIGHT w/WATER | 574 Lbs. (258 Kg.) |
| GAL. TO OVERFLOW | 55 Gal. (208 L.) |
| WHIRLPOOL MIN. OPERATING VOL. | 45 Gal. (171 L.) |
| BATHING WELL AT SUMP | 20 x 40 (508 x 1016mm) |
| BATHING WELL AT RIM | 26 x 53-1/2 (660 x 1359mm) |
| WATER DEPTH TO OVERFLOW | 14-1/2 (368mm) |
| FLOOR LOADING (PROJECTED AREA) | 43 Lbs./Sq.Ft. (208 Kgs./Sq.m) |
| PTS. | 20.8 |
| CUBE (FT ³) | 35.3 |

WHIRLPOOL ELECTRICAL SPECIFICATIONS

| | |
|---------------|--------------------------|
| SYSTEM I PUMP | 1.25 HP, 9.9 AMPS, 120V. |
|---------------|--------------------------|

GENERAL SPECIFICATIONS FOR 2776 BATHING POOL

| | |
|--------------------------------|---------------------------------------|
| INSTALLED SIZE | 59-7/8 x 32 x 20 (1521 x 813 x 508mm) |
| WEIGHT | 75 Lbs. (34 Kg.) |
| WEIGHT w/WATER | 525 Lbs. (236 Kg.) |
| GAL. TO OVERFLOW | 54 Gal. (205 L.) |
| BATHING WELL AT SUMP | 20 x 40 (508 x 1016mm) |
| BATHING WELL AT RIM | 26 x 53-1/2 (660 x 1359mm) |
| WATER DEPTH TO OVERFLOW | 14-1/2 (368mm) |
| FLOOR LOADING (PROJECTED AREA) | 39 Lbs./Sq.Ft. (191 Kgs./Sq.m) |
| PTS. | 20.8 |
| CUBE (FT ³) | 35.3 |

NOTES:

BATH TO BE INSTALLED ABOVE FLOOR LINE AS A RECESS INSTALLATION. SUPPORT OF BATH BY SUMP BEDDING. SUPPORT AND ENCLOSING MATERIAL BY OTHERS.

■ REFER TO INSTALLATION INSTRUCTIONS SUPPLIED WITH WHIRLPOOL FOR ADDITIONAL INFORMATION.

LEFT HAND OUTLET SHOWN, RIGHT HAND REVERSE DIMENSIONS (2776.118).

FITTINGS NOT INCLUDED AND MUST BE ORDERED SEPARATELY.

PROVIDE SUITABLE REINFORCEMENT FOR ALL SUPPORTS.

IMPORTANT: Dimensions of fixtures are nominal and may vary within the range of tolerances established by ANSI Standards Z124.1 and A112.19.7. These measurements are subject to change or cancellation. No responsibility is assumed for use of superseded or voided pages.